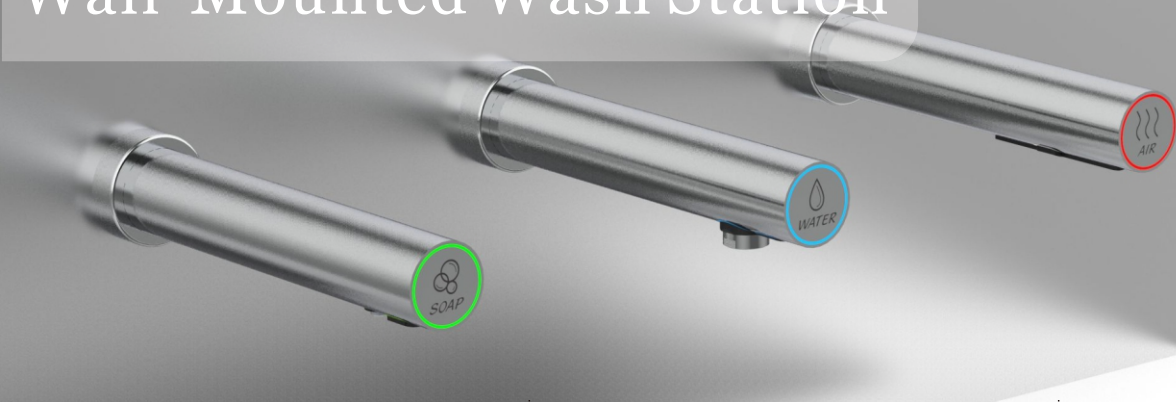


EcoTap

Wall-Mounted Wash Station



Soap Dispenser

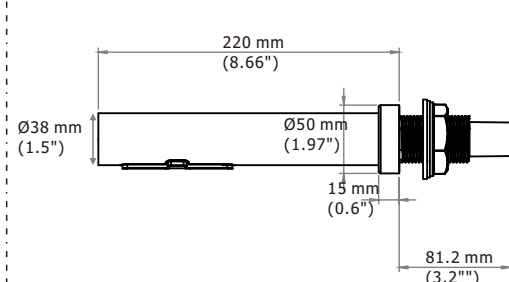
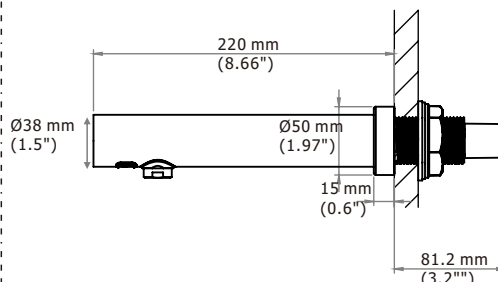
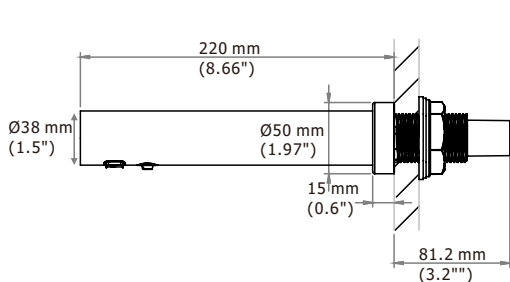
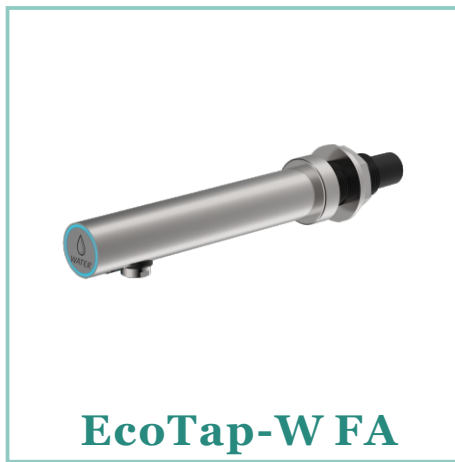
- Hands free
- Foam and liquid available
- High quality sensor
- Long life cycle
- Stainless steel #304

Faucet

- Hands free
- All in one design
- Stainless steel #304
- Auto detecting sensing range

Hand Dryer

- Hands free
- Intelligent temperature control technology
- Energy-saving
- IP35
- Carbon filter assembly



Soap Dispenser

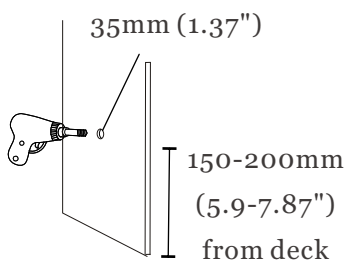
Technical Specification

| | |
|----------------------|--|
| Material | Stainless Steel #304 |
| Power Source | AC (6V) |
| Standby Power | 0.14W |
| Sensing Range | 120 mm ± 20 mm auto detecting, adjustable |
| Soap Volume | 1-1.5 ml (liquid), 0.6-0.8 (foam) |
| Soap Pump Life Cycle | 100k |
| Mechanism Life Cycle | 500k |
| Soap Bottle | 1,500 ml |
| Drip Proof | IP35 |
| Safety Approval | CE |
| Packaging | 6 dispensers/carton. G.W. 14.0kg. Meas. 4.6' |

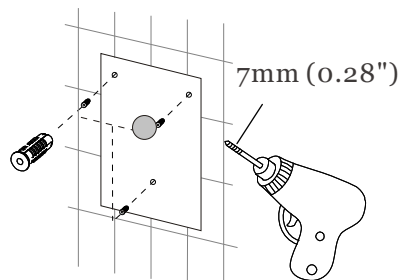
Light Indication

| | |
|--------------------|-------------------------------|
| Standby | Solid green light |
| Operation | From green light to red light |
| Wrong Type of Soap | Flashing green and red light |
| Empty Soap Bottle | Flashing green light |

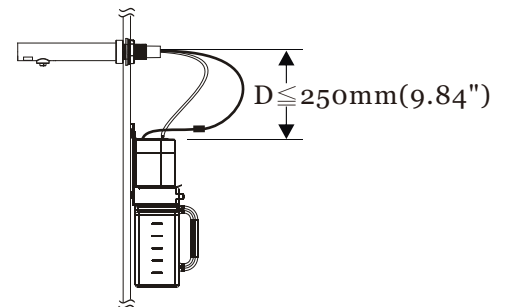
Installation



One hole for spout



Three holes for back plate



Recommended wall thickness:

10-30mm (0.39-1.18")

Faucet

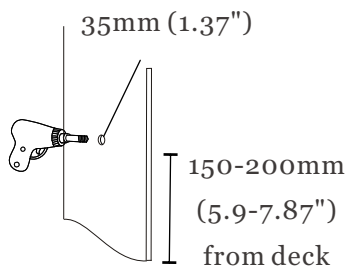
Technical Specification

| | |
|------------------------------|--|
| Material | Stainless Steel #304 |
| Power Source | AC (6V) |
| Standby Power | Less than 0.1W |
| Sensing Range | 120 mm ± 20 mm auto detecting, adjustable |
| Applicable Water Temperature | 4-85 °C |
| Operating Water Pressure | 10~100 PSI |
| Delay Time | 0.5-1 second |
| Timing Protection | One minute auto shut off |
| Flowing Volume | Less than 3.8 l/min |
| Drip Proof | IP35 |
| Safety Approval | CE |
| Packaging | 10 faucets/carton. G.W. 13.0kg. Meas. 2.1' |

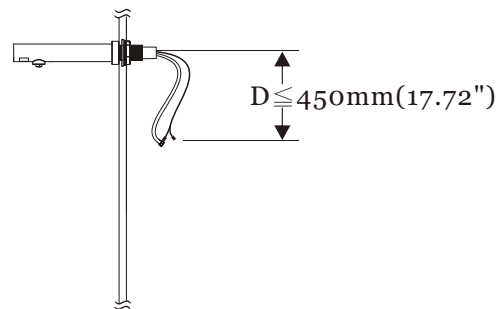
Light Indication

| | |
|-----------|------------------------------|
| Standby | Solid blue light |
| Operation | From blue light to red light |

Installation



One hole for spout



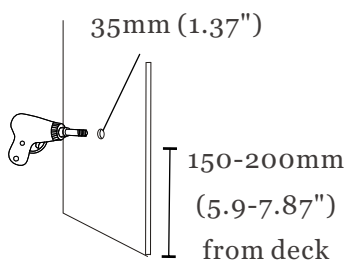
Recommended wall thickness:
10-30mm (0.39-1.18")

Hand Dryer

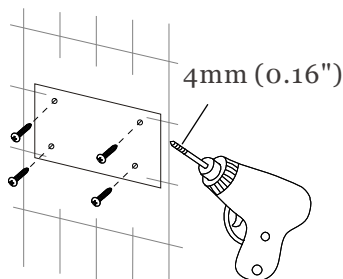
Technical Specification

| | |
|-----------------------|--|
| Material | Stainless Steel #304 |
| Power Source | 110V-120Vac, 50/60 Hz, 0.84-1.0kW 220V-240Vac, 50/60 Hz, 0.84-1.0kW |
| Standby Power | 0.3-0.4W |
| Sensing Range | 130 mm ± 20 mm auto detecting, adjustable |
| Motor Type | 500 W, 22,000-29,000 R.P.M. |
| Warm Air Speed Output | 93-110 m/s [208-246 mi/h] |
| Dryer Shall Deliver | 119 m ³ /h, (70 CFM) |
| Sound Level | MIN 59.2 dB to 63.8 dB MAX @ 1m |
| Drying Time | Less than 10-15 seconds |
| Timing Protection | 60 seconds auto shut off |
| Drip proof | IP35 |
| Isolation | Class 1 |
| Safety Approval | UL, CE, GS, CB, BSMI, EMC, LVD, WEEE, ROHS |
| Packaging | 1 dryer/carton. G.W. 8.1kg. Meas. 1.7' |

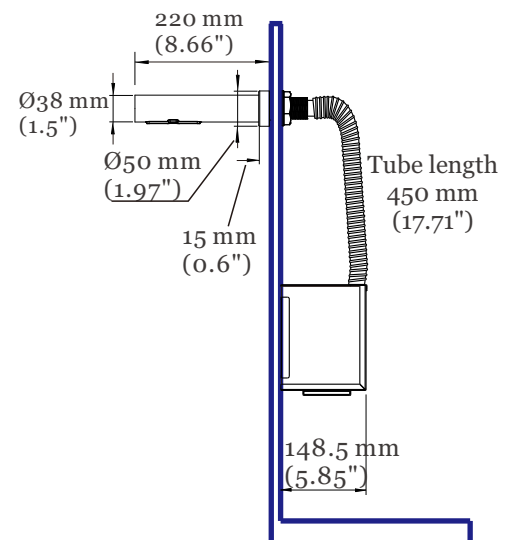
Installation



One hole for spout



Four holes for back plate



EcoTap

Wall-Mounted Wash Station

Recommended distance between units

